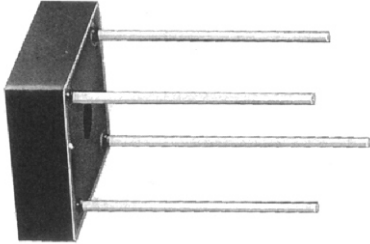


BR10 SERIES

SINGLE-PHASE SILICON BRIDGE



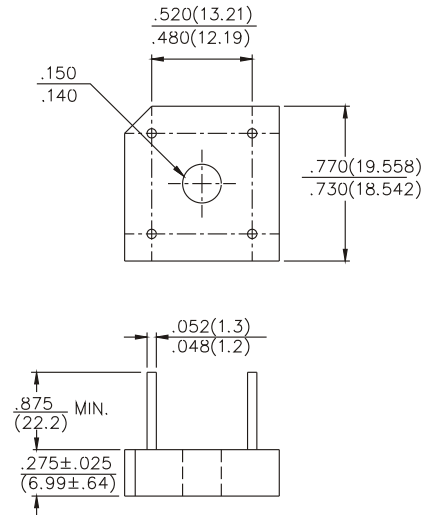
**CHENG-YI
ELECTRONIC**



FEATURES

- UL recognized file #E149311
- Surge overload rating-150 amperese peak
- Low forward voltage drop
- Small size: simple installation
- Mounting position:Any
- Electrically isolated base-1800Volts
- Epoxy:UL94-0 Rate flame retardant
- Lead:MIL-STD-202 method 208 quaranteed

VOLTAGE RANGE
50 TO 1000 VOLTS
CURRENT
10 Amperes



Polarity shown on side of case;
positive lead by beveled corner.

Dimensions in inches and (millimeters)

MAXIMUM RATINGS AND ELECTRICAL CHARACTERISTICS

Ratings at 25°C ambient temperature unless otherwise specified.
Single phase, half wave, 60Hz, resistive or inductive load.
For capacitive load, derate current by 20%.

		BR1005	BR101	BR102	BR104	BR106	BR108	BR1010	UNITS
Maximum Recurrent Peak Reverse Voltage	V_{RRM}	50	100	200	400	600	800	1000	V
Maximum RMS Bridge Input Voltage	V_{RMS}	35	70	140	280	420	560	700	V
Maximum DC Blocking Voltage	V_{DC}	60	100	200	400	600	800	1000	V
Maximum Average Forward Output Current	$V_{(AV)}$				10.0 8.0				A A
Peak Forward Surge Current 8.3 ms single half sine-wave superimposed on rated load	I_{FSM}				150				A
Maximum DC Forward Voltage drop per element at 5.0A DC	V_F				1.1				V
Maximum DC Reverse Current at rated DC Blocking Voltage	I_R				10 1				μ A mA
I^2t Rating for fusing ($t < 8.3ms$)	I^2t				64				A ² S
Typical Thermal Resistance	$R_{\theta JC}$				5				°C/W
Operating Temperature Range	T_J				-55 to +125				°C
Storage Temperature Range	T_{STG}				-55 to +150				°C

BR10 SERIES

SINGLE-PHASE SILICON BRIDGE



**CHENG-YI
ELECTRONIC**

RATING AND CHARACTERISTICS CURVES BR10 SERIES

Fig.1 - MAXIMUM NON-REPETITIVE
FORWARD SURGE CURRENT

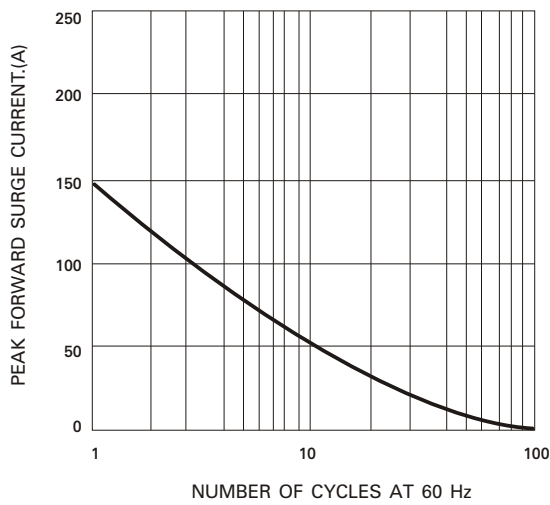


Fig.2 - TYPICAL FORWARD CURRENT
DERATING CURVE

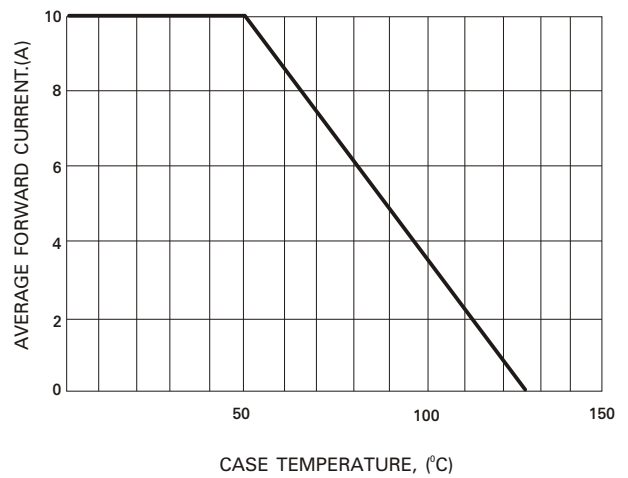


Fig.3 - TYPICAL INSTANTANEOUS FORWARD
CHARACTERISTICS

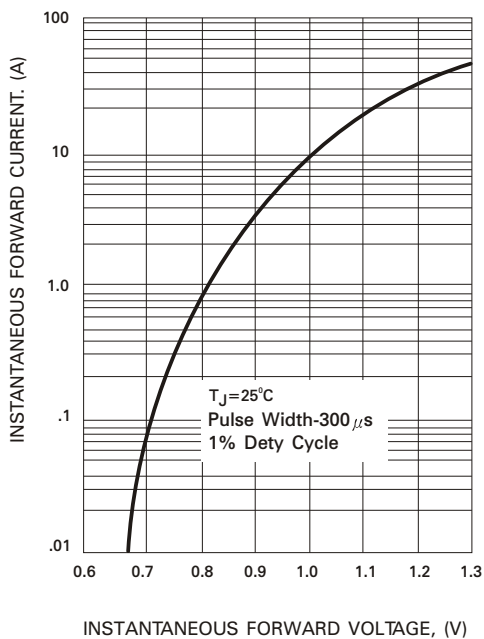


Fig.4 - TYPICAL REVERSE CHARACTERISTICS

